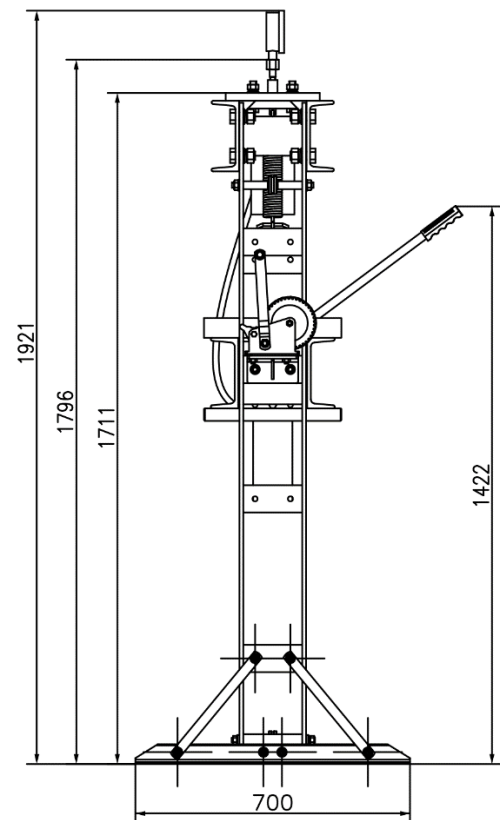
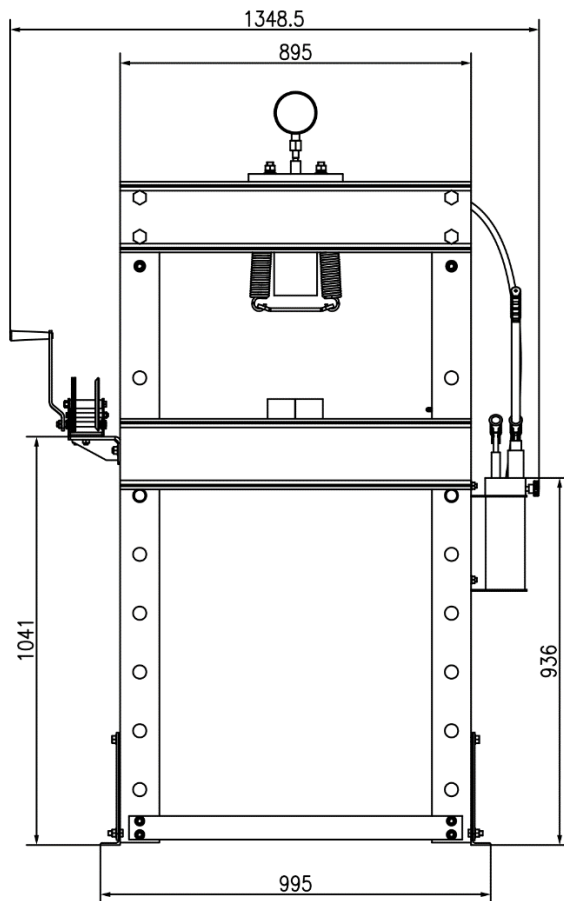


DATASHEET – DIMENSIONS



Weight:	240 kg
Handle length:	600 mm
Scope of action:	100 - 1000 mm
Type:	hydraulic - two-speed
Max. working pressure:	50 tons
Working position:	8 levels
Cylinder stroke:	200 mm
Piston rod:	Φ 46 mm